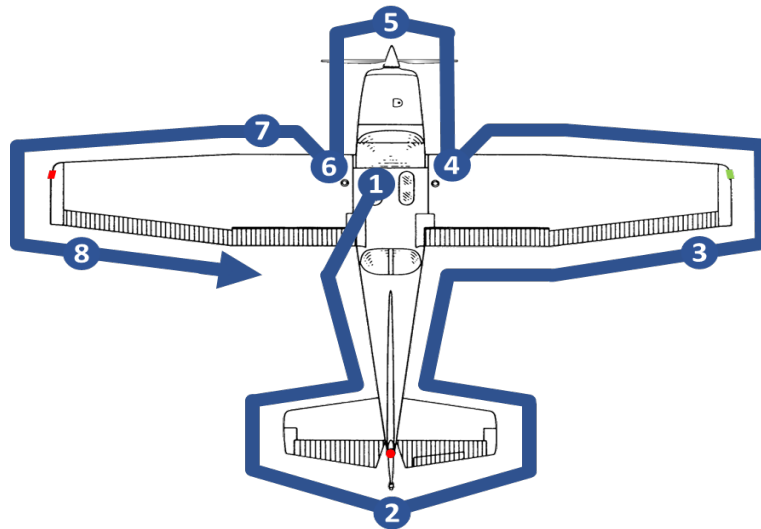


# PH-DON CESSNA 172

## WALK-AROUND CHECK AND VISUAL INSPECTION



### 1 CABIN

Airplane documents ..... CHECKED  
 Gust lock & Pitot cover ..... REMOVED AND STOWED  
 Parking brake ..... ON  
 Ignition key ..... OFF  
 Canopy ..... CLEAN  
 All circuit breakers ..... IN  
 Master Switch ..... ON  
 Fuel Quantity Indicators ..... CHECK QUANTITY  
 Flaps ..... DOWN  
 All aircraft lights ..... ON, CHECK OPERATION  
 All aircraft lights ..... OFF  
 Master Switch ..... OFF  
 HOBBS and VUT ..... CHECKED  
 Foreign object inspection in cabin ..... CHECKED  
 Emergency Locator Transmitter (ELT) ..... AUTO or ARM

### 2 EMPENNAGE AND TAIL

Baggage door ..... CHECK LOCKED  
 Control Surfaces ..... CHECK FREEDOM

### 3 RIGHT WING – Trailing Edge

Flap ..... CHECK FOR SECURITY & CONDITION  
 Aileron ..... CHECK FREEDOM OF MOVEMENT & SECURITY

### 4 RIGHT WING

Main Wheel Tire ..... CHECK FOR PROPER INFLATION  
 Fuel Tank Sump ..... SAMPLE  
 Fuel Quantity ..... CHECK VISUALLY  
 Fuel Filler Cap ..... SECURE

### 5 NOSE

Engine Oil Level ..... CHECK MIN 5 MAX 7 QUARTS  
 Fuel Strainer ..... DRAIN  
 Propeller and Spinner ..... CHECK FOR NICKS AND SECURITY  
 Landing Light ..... CHECK CLEANLINESS  
 Air Filter ..... CHECK FOR FOREIGN MATTER  
 Nose Gear Shock Strut ..... CHECK FOR PROPER INFLATION  
 Nose Wheel Tire ..... CHECK FOR PROPER INFLATION  
 Static Source Opening ..... CHECK FOR BLOCKAGE

### 6 LEFT WING

Main Wheel Tire ..... CHECK FOR PROPER INFLATION  
 Fuel Tank Sump ..... SAMPLE  
 Fuel Quantity ..... CHECK VISUALLY  
 Fuel Filler Cap ..... SECURE

### 7 LEFT WING – Leading Edge

Pitot tube ..... CHECK OPENING FOR BLOCKAGE  
 Fuel Tank Vent Opening .. CHECK OPENING FOR BLOCKAGE  
 Stall Warning Opening ..... CHECK OPENING FOR BLOCKAGE

### 8 LEFT WING – Trailing Edge

Aileron ... CHECK FREEDOM OF MOVEMENT AND SECURITY  
 Flap ..... CHECK FOR SECURITY AND CONDITION

**WALK-AROUND CHECKLIST COMPLETED**

# Discrepancy log PH-DON



AEROCLUB HILVERSUM-AMSTERDAM



NL-ATO-227